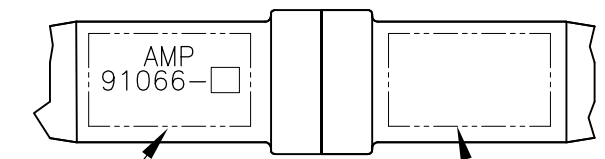
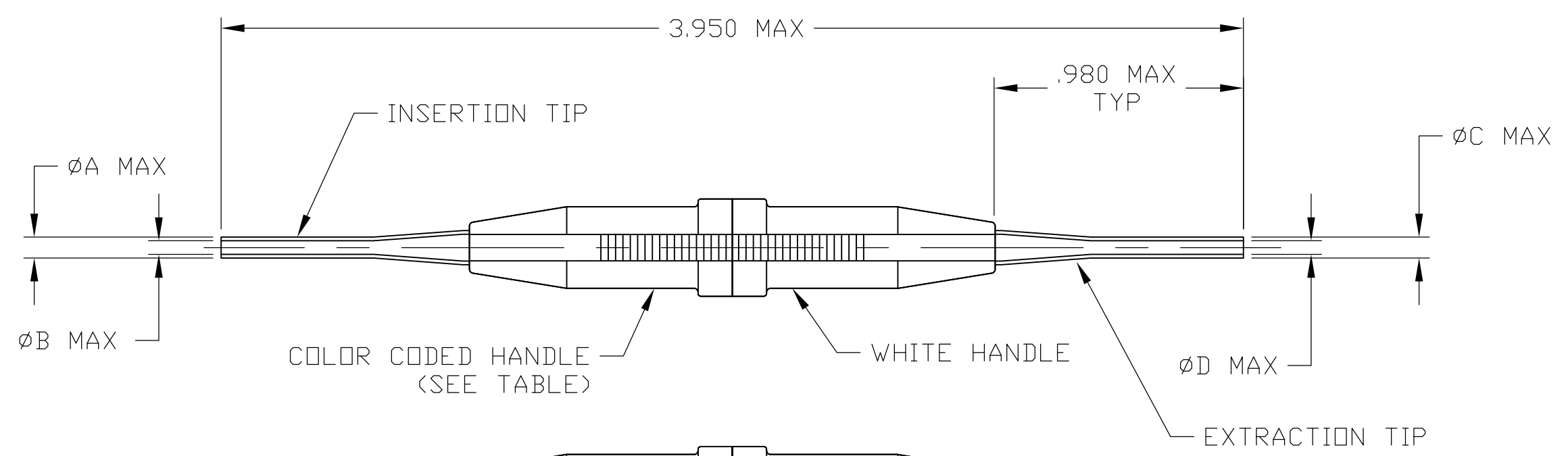


THIS DRAWING IS UNPUBLISHED. RELEASED FOR PUBLICATION N/A ,N/A .
 © COPYRIGHT N/A BY TYCO ELECTRONICS CORPORATION. ALL RIGHTS RESERVED.

LOC	DIST	REVISIONS					
DF	AO	P	LTR	DESCRIPTION	DATE	DWN	APVD
		D		REV PER ECO-08-003469	08APR08	TK	CT



MARKING IN APPROX. AREA AS SHOWN REF

M81969-SQ BLOCK SYMBOL

1. FOR CORRECT TOOL USAGE SEE INSTRUCTION SHEET: I. S. 408-7491.

-	.072	.087	.073	.085	RED	20	91066-4
M81969/1-03	.116	.136	.114	.134	BLUE	16	91066-3
M81969/1-01	.055	.074	.056	.065	LT. GREEN	22	91066-1
MILITARY PART NO. REF	DIM D	DIM C	DIM B	DIM A	COLOR CODE	SIZE	PART NUMBER

THIS DRAWING IS A CONTROLLED DOCUMENT.

DIMENSIONS: INCHES	TOLERANCES UNLESS OTHERWISE SPECIFIED:	DWN C.C.THOMAS 4-30-03	Tyco Electronics Corporation Harrisburg, PA 17105-3608
	0 PLC ± -	CHK S.GLATFELTER 4-30-03	
	1 PLC ± -	APVD S.GLATFELTER 4-30-03	
	2 PLC ± -	NAME -	
	3 PLC ± -	PRODUCT SPEC -	INSERTION/EXTRACTION TOOL
	4 PLC ± -	APPLICATION SPEC -	
	ANGLES ± -	WEIGHT -	SIZE A3 CAGE CODE 00779 DRAWING NO C-91066 RESTRICTED TO -
MATERIAL PLASTIC & STEEL	FINISH NICKEL PLATED	CUSTOMER DRAWING SCALE 2:1 SHEET 1 OF 1 REV D	